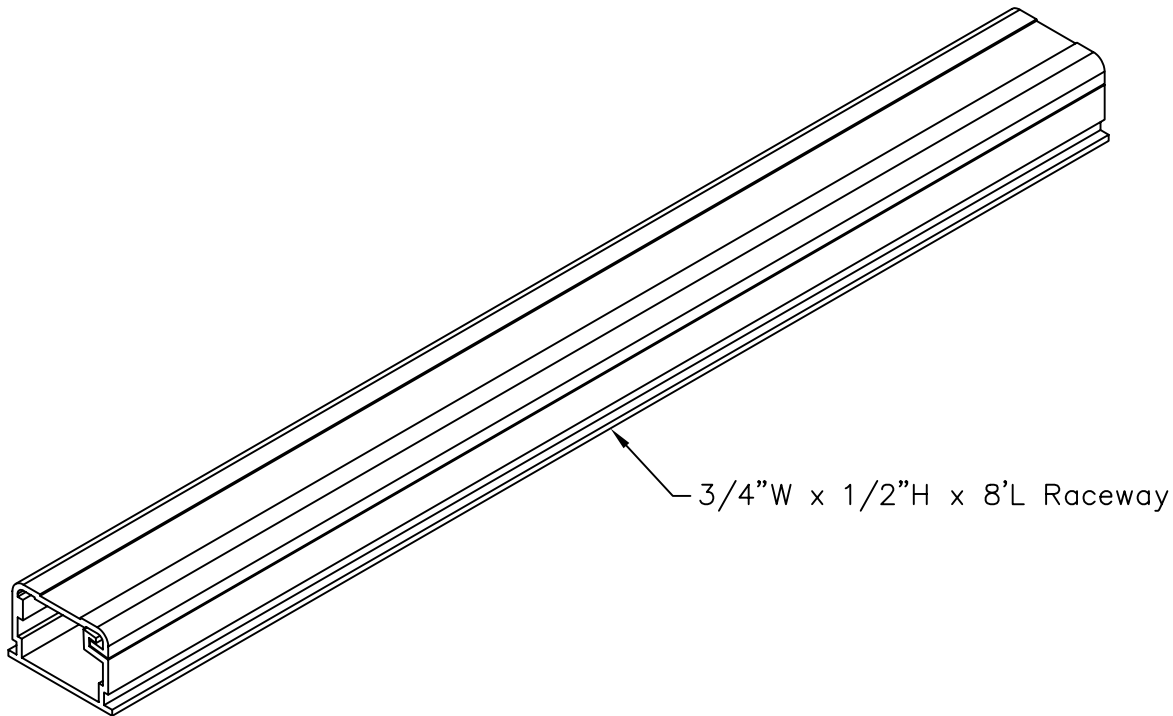


# 3/4"W x 1/2"H x 8'L Raceway

## PRODUCT SPECIFICATION


### Package includes:

- A. 3/4"W x 1/2"H x 8'L Raceway, 20 pcs
- B. Installation Instructions, 1 sheet

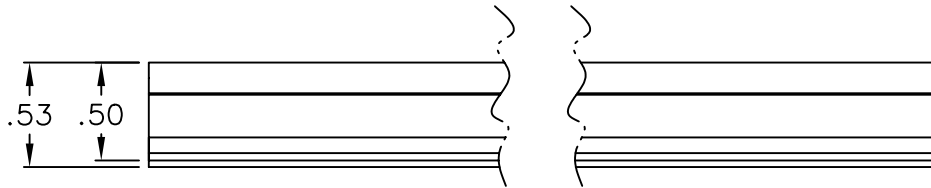
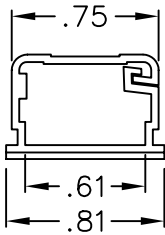
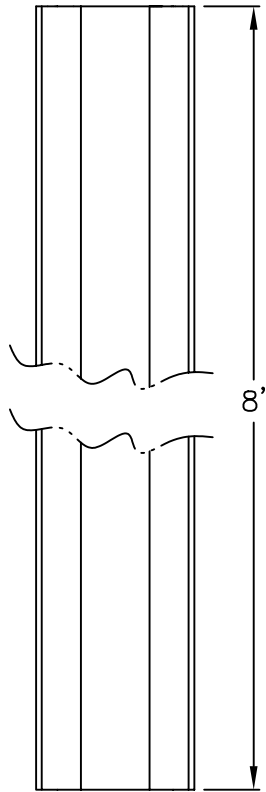


### Features and Benefits:

- Designed to blend in and conceal voice, data, coax, audio, video, and fiber cables in office and residential environments
- Integrated one piece latching system provides a simple and quick install
- Adhesive backing allows a secure and permanent placement
- Easy to cut, trim, and paint to fit virtually any decor and application layout
- Accommodates a wide variety of outlet boxes including IC108SB Elite surface mount boxes, IC108MMB multi-media boxes, IC107M mounting boxes, and ICACSMB junction boxes
- Used with ICACSTPE60 raceway cutting tool
- Available in ivory and white
- Installation instructions #MSR-0334 included


<b>RACEWAY, 3/4"W X 1/2"H X 8'L, 20 PK</b>		 <i>PremiumProducts</i> <i>ProvenPerformance</i> <i>CompetitivePrices</i>	
ITEM NO.	ICRW118RXX		REV. A
DWG NO.	PSRW118R00		PAGE NO. 1

CUSTOMER CARE / TECHNICAL SUPPORT \* CSR@ICC.COM / 888-ASK-4-ICC (275-4422) \* 14700 Alondra Blvd., La Mirada, CA 90638 \* www.icc.com



**NOTE: UNLESS OTHERWISE SPECIFIED**

1. MATERIAL: PVC, UL 94V-0
2. COLOR: XX: IV-IVORY & WH-WHITE

<b>RACEWAY, 3/4"W X 1/2"H X 8'L, 20 PK</b>		 <i>PremiumProducts</i> <i>ProvenPerformance</i> <i>CompetitivePrices</i>	
ITEM NO.	ICRW118RXX		REV. A
DWG NO.	PSRW118R00		PAGE NO. 2

CUSTOMER CARE / TECHNICAL SUPPORT \* CSR@ICC.COM / 888-ASK-4-ICC (275-4422) \* 14700 Alondra Blvd., La Mirada, CA 90638 \* www.icc.com